

TUTORIAL

PMSM Drive with Sensorless Control

April 2017

Permanent Magnet Synchronous Motors (PMSM) have been used in a wide variety of applications. Using TI's InstaSPIN technology, PSIM provides a complete and easy-to-use solution to the design and implementation of high-performance PMSM motor drive with sensorless control, from motor identification to current/speed controller design and DSP hardware implementation.

There are two types of PMSM: Surface mounted Permanent Magnet (SPM) motor and Interior Permanent Magnet (IPM) motor. In SPM, the d-axis and q-axis inductances are equal, i.e. $L_d = L_q$. In IPM, L_q is greater than L_d .

This tutorial describes how to use PSIM's Motor Control Design Suite to design and implement PMSM sensorless control motor drives. The tutorial includes sections for the following PMSM sensorless control systems:

- Based on the same control structure as in TI InstaSPIN labs;
- Based on the same control structure as in TI InstaSPIN labs, but with SimCoder blocks for auto hardware code generation;
- Based on the typical Motor Control Design Suite structure with field weakening control for a SPM motor;
- Based on the typical Motor Control Design Suite structure with maximum torque-per-ampere control and field weakening control for an IPM motor.

1. Designing a Sensorless PMSM Drive – A Step-by-Step Approach

PSIM provides the complete solution that makes design and implementation of sensorless PMSM drive effortless.

Below is the procedure to design a sensorless PMSM drive:

- Identify motor parameters using code provided in PSIM.
- Generate InstaSPIN parameter files using PSIM's *InstaSPIN Parameter Editor*.
- Design current and speed loop controller parameters using PSIM's Motor Control Design Suite.
- Simulate the complete power and control system in PSIM to validate the design.
- Add SimCoder blocks to the system, and generate ready-to-run DSP code automatically.

The first step is to identify motor parameters if they are not already known. Based on the power stage, follow the tutorial "[Tutorial – Motor parameter identification with PSIM.pdf](#)" to find out the motor resistances and inductances.

After motor parameters are obtained, use the InstaSPIN Parameter Editor to create the parameter file for InstaSPIN. Refer to the tutorial "[Tutorial – Simulation and code generation of TI InstaSPIN using DRV8305 EVM.pdf](#)" on how to use the InstaSPIN Parameter Editor.

With the InstaSPIN parameter file ready, use this tutorial to design PI controller parameters for current loop and speed loop.

With the controller parameters designed, apply them back into the system, and follow the procedure in the tutorial “[Tutorial – Simulation and code generation of TI InstaSPIN using DRV8305 EVM.pdf](#)” to perform overall system simulation and generate code for DSP hardware.

2. Motor Control Design Suite for PMSM Sensorless Control

The following new design templates are added to the Motor Control Design Suite:

- **PMSM Sensorless Drive (InstaSPIN):**
For PMSM sensorless drive (both SPM and IPM) using the InstaSPIN lab control structure
- **PMSM Sensorless Drive (InstaSPIN SimCoder):**
For PMSM sensorless drive (both SPM and IPM), with auto code generation, using the InstaSPIN lab control structure
- **PMSM (SPM) Sensorless Drive (InstaSPIN):**
For PMSM (SPM) sensorless drive using the Motor Control Design Suite control structure with field weakening control
- **PMSM (IPM) Sensorless Drive (InstaSPIN):**
For PMSM (IPM) sensorless drive using the Motor Control Design Suite control structure with maximum torque-per-ampere control and field weakening control

Note that all these templates use the InstaSPIN block as the sensorless estimator. Since the InstaSPIN block is part of the PIL Module, one must have the PIL Module in the PSIM license in order to run these templates.

The sections below describe how to use these templates.

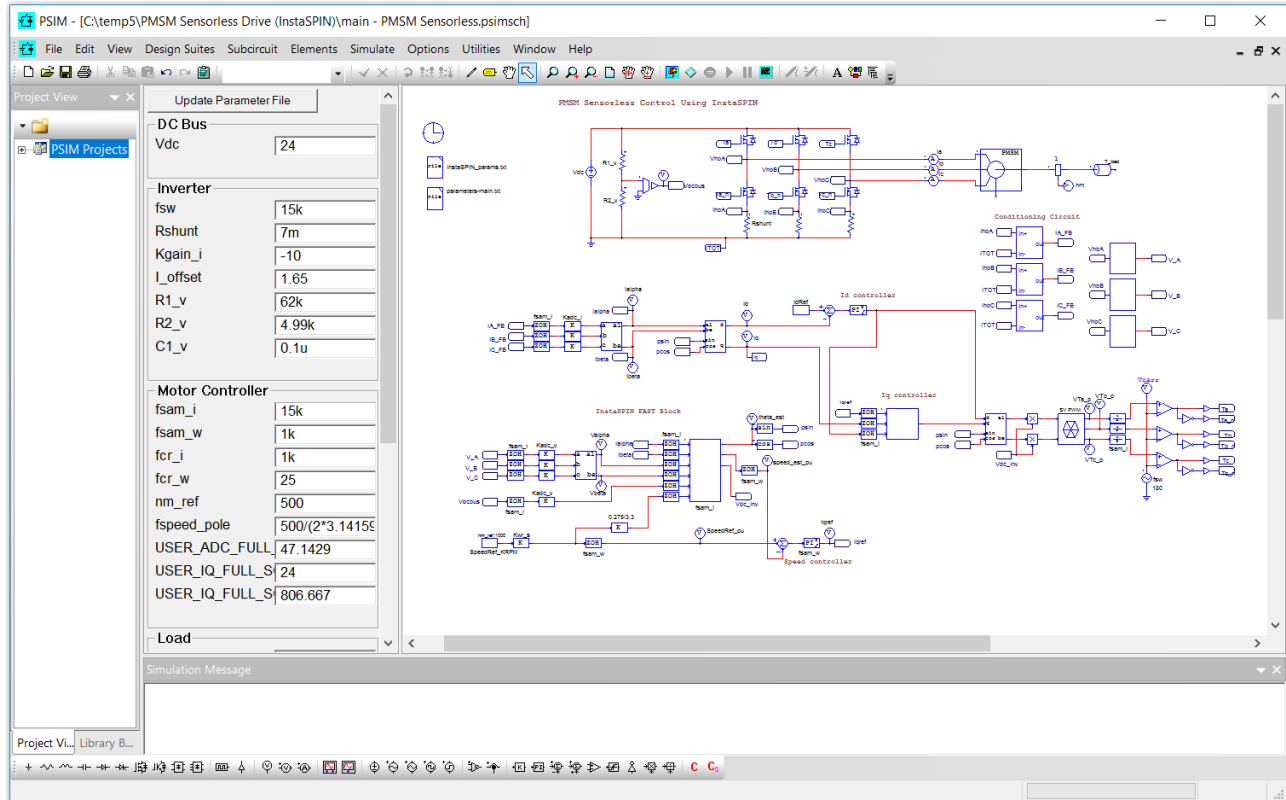
3. PMSM Sensorless Drive with InstaSPIN Lab Control Structure

To design a sensorless PMSM drive with the same control structure as in TI InstaSPIN Lab 11, in PSIM, select **Design Suites >> Motor Control Design Suite >> PMSM Sensorless Drive (InstaSPIN)**. After files are unpacked, the following schematic will appear.

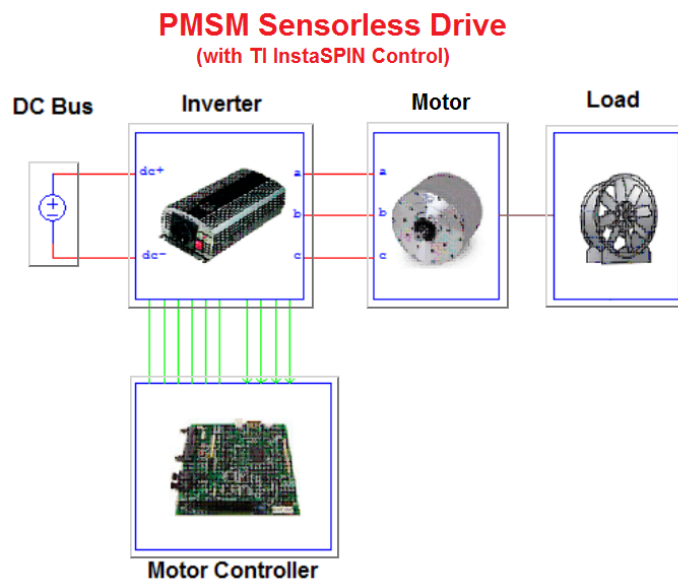
On the left of the schematic is a list of parameters. These are the input parameters that need to be specified as inputs. Once all parameters are entered, click on **Update Parameter File** to obtain the new design parameters in the “parameters-main.txt” file.

There is another parameter file called “InstaSPIN_params.txt”. This file is for the InstaSPIN block, and needs to be generated separately using PSIM’s InstaSPIN Parameter Editor. This file must be placed in the same folder as the schematic file.

The default settings of this template use the DRV8305 EVM hardware and the Anaheim BLDC motor BLY172S-24V-4000. If the hardware or the motor is different, the InstaSPIN parameter file “InstaSPIN_params.txt” needs to be regenerated and the input parameters need to be updated.



To see the high-level structure of the Design Suite template, select **Design Suites >> Show Design File**, and a dialog window will appear as shown below:



The shadow box around each box will appear once you place the cursor inside the window. To enter input parameters, double click on each box.

In this section, we will use the DRV8305 EVM hardware and Anaheim BLDC motor BLY172S-24V-4000 as an example. The key hardware and motor specifications are as follows:

- Inverter: 24 Vdc, 15 kHz
- Motor: Anaheim motor BLY172S-24V-4000 (24 V, 11 A (peak), 55 W, 4000 rpm)

Based on the DRV8305 EVM hardware and the motor parameters, use the InstaSPIN Parameter Editor to obtain the parameter file “InstaSPIN_params.txt”. By default, the file “InstaSPIN_params.txt” in the schematic folder is for the DRV8305 EVM and the Anaheim motor BLY172S-24V-4000 already, and is ready to use. But if the hardware or the motor is different, this file needs to be re-generated and placed in the schematic folder.

For the Design Suite template, enter the following parameters:

For *DC Bus*:

Operating DC Bus Voltage (Vdc): 24

For *Inverter*:

| | | |
|--------------------------------------|-------|-------------------------------------|
| Shunt Resistance (Rshunt): | 7m | [current shunt resistor] |
| Conditioning Circuit Gain (Kgain_i): | -10 | [current conditioning circuit gain] |
| DC Offset (I_offset): | 1.65 | [current conditioning offset] |
| Resistance R1 (R1_v): | 62k | [voltage divider resistance] |
| Resistance R2 (R2_v): | 4.99k | [voltage divider resistance] |

For *Motor*:

| | |
|-------------------------------|------|
| Moment of Inertia (J_motor) | 4.8u |
| Shaft Time Constant (T_shaft) | 0.05 |

For *Load*:

| | |
|----------------------------------|----|
| Load Torque (T_load): | 0 |
| Load Moment of Inertia (J_load): | 4u |

For *Motor Controller*:

| | | |
|---------------------------------------|-----|-------------------------------|
| Current Loop Sampling Freq. (fsam_i): | 15k | |
| Speed Loop Sampling Freq. (fsam_w): | 1k | |
| Current Loop Crossover Freq. (fcr_i): | 1k | [Used in current loop design] |
| Speed Loop Crossover Freq. (fcr_w): | 25 | [Used in speed loop design] |
| Motor Speed Reference (nm_ref): | 500 | |

Parameters Kgain_i and I_offset come from the current conditioning circuit. For DRV8305 EVM, the gain Kgain_i is -10., and it can be changed by adjusting the op. amp. feedback resistance.

Parameters R1_v and R2_v come from the voltage divider circuit in the DRV8305 EVM hardware.

There are several input and InstaSPIN parameters that have noticeable impact on the control performance, and need special attention when defining them:

- Maximum motor current USER_MOTOR_MAX_CURRENT
- Maximum motor speed
- Voltage feedback filter frequency USER_VOLTAGE_FILTER_POLE_Hz
- Speed feedback internal filter frequency USER_SPEED_POLE_rps
- Current loop crossover frequency fcr_i
- Speed loop crossover frequency fcr_w

The maximum motor current determines the current loop controller limit.

The maximum motor speed affects the IQ full scale frequency `USER_IQ_FULL_SCALE_FREQ_Hz`.

The filter frequency of the voltage feedback, `USER_VOLTAGE_FILTER_POLE_Hz`, together with the voltage divider resistances `R1_v` and `R2_v`, determines the capacitance `C1_v`. The filter frequency needs to be selected carefully for the InstaSPIN sensorless control algorithm to work. It must be less than the IQ full scale frequency `USER_IQ_FULL_SCALE_FREQ_Hz`.

The parameter `USER_SPEED_POLE_rps`, in rad/sec, is the frequency of the 1st-order low-pass filter internal to the InstaSPIN block. A recommended range of `USER_SPEED_POLE_rps` is from 100 to 500 rad/sec. (or 15.9 to 79.6 Hz). When selecting the speed loop crossover frequency `fcr_w`, make sure that it is lower than half of this filter frequency. If the speed loop response is not fast enough, increase the values of `USER_SPEED_POLE_rps` and `fcr_w`.

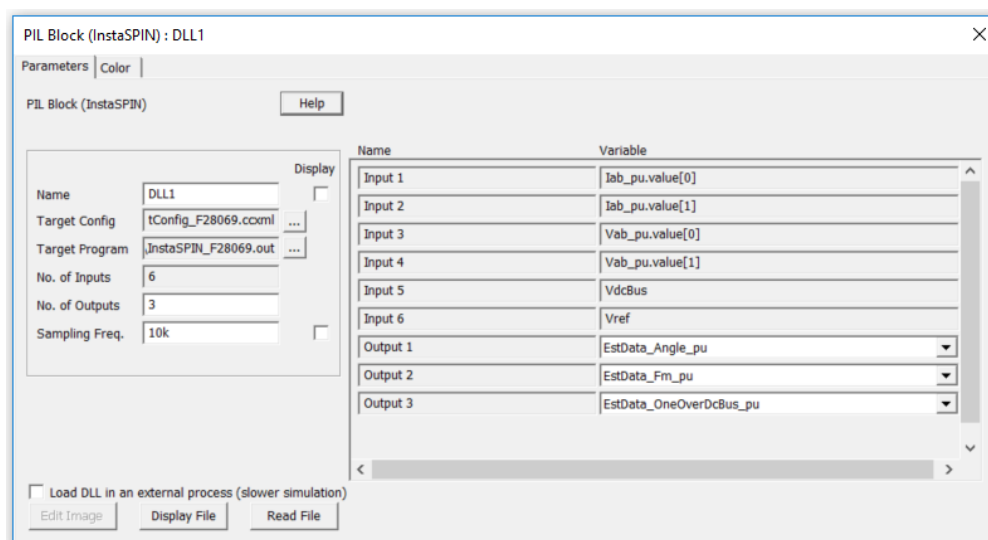
For the current loop, a good starting point of the current loop crossover frequency `fcr_i` is around 1/10 of the current loop sampling frequency `fsam_i`.

With the correct InstaSPIN parameter file, after all input parameters are entered in the parameter panel, click on **Update Parameter File**. Current loop PI controller parameters `Kpi_d`, `Tpi_d`, `Kpi_q`, `Tpi_q` and the speed loop PI controller parameters `Kpi_w` and `Tpi_w` will be designed automatically. In this case, the designed parameters are:

`Kpi_d` = 4.02
`Tpi_d` = 0.0016
`Kpi_q` = 4.02
`Tpi_q` = 0.0016
`Kpi_w` = 2.63
`Tpi_w` = 0.0175

The current loops have a phase margin of 86°, and the speed loop has a phase margin of 50°.

The motor position and speed are estimated by TI's InstaSPIN sensorless control algorithm with TI F28069M DSP and PSIM's InstaSPIN block (under **Elements >> Control >> PIL Module**). The InstaSPIN block has 6 inputs and 3 outputs by default. The dialog window is shown below.



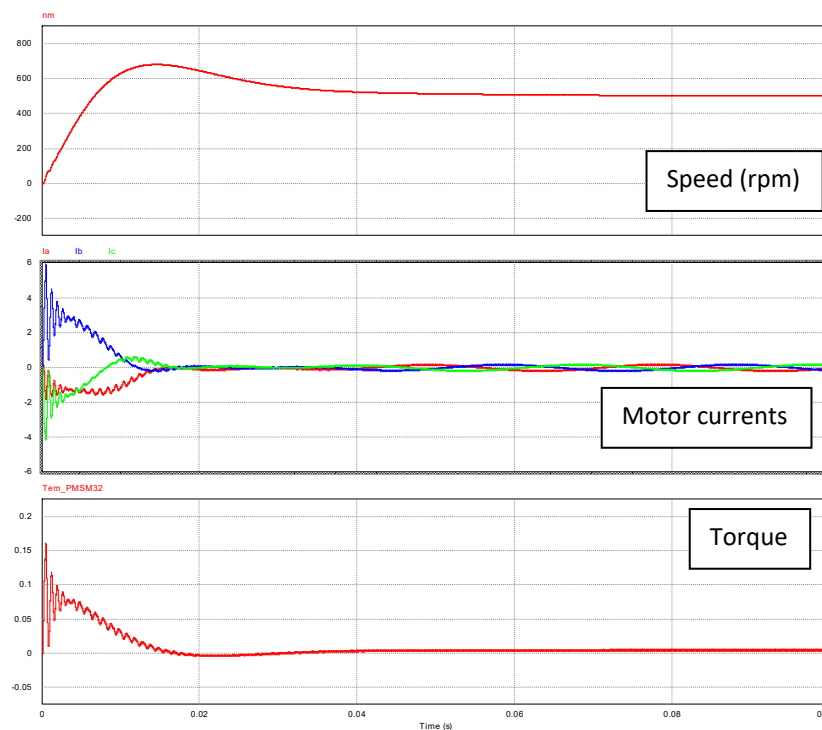
The number of inputs is fixed, while the number of outputs can be changed. All inputs are in per unit, and the data format is IQ24.

The InstaSPIN block requires additional parameters, and these parameters are defined in a parameter file called “InstaSPIN_params.txt”. The file name is hard coded, and it cannot be changed. This file must be in the same folder as the schematic file.

There are many parameters that need to be defined and calculated for InstaSPIN, based on motor parameters, inverter operating conditions, and voltage and current sensing circuits. To ease the process of preparing the parameter file, PSIM provides an **InstaSPIN Parameter Editor** to help users quickly generate and modify the required “InstaSPIN_params.txt” file. Refer to “[Tutorial – Simulation and code generation of TI InstaSPIN using DRV8305 EVM.pdf](#)” for more details.

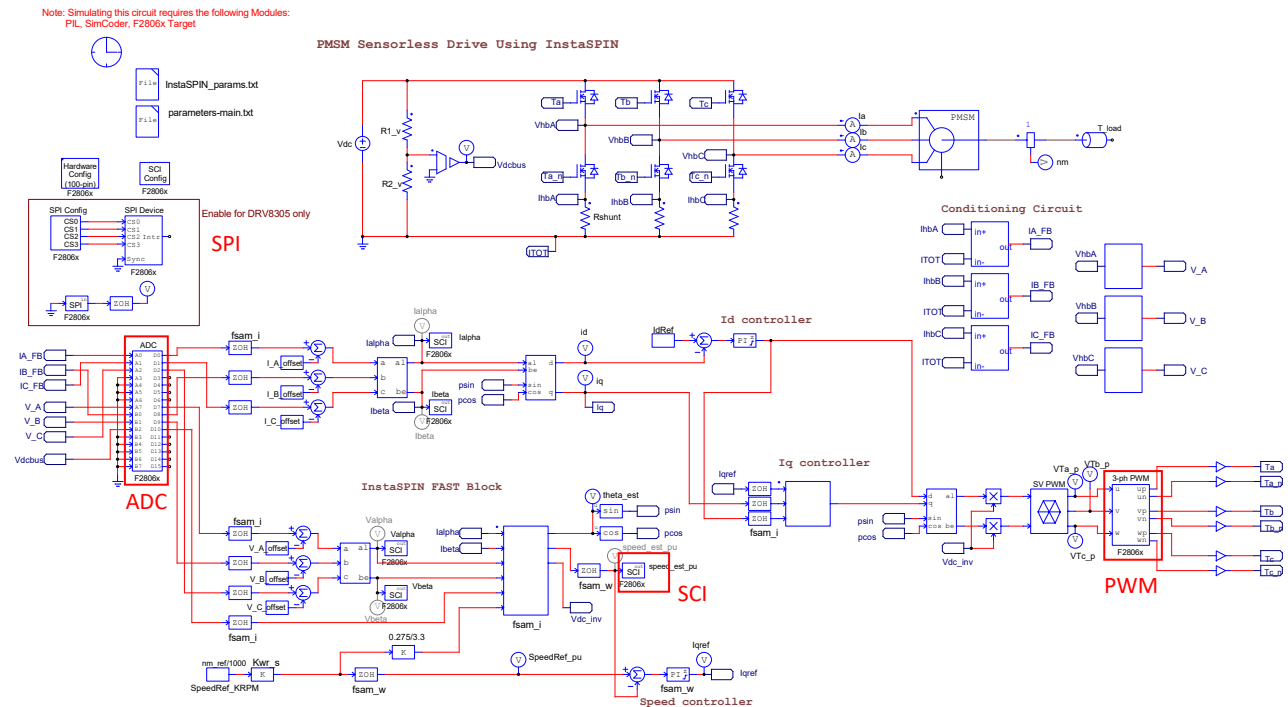
To run simulation, connect a F28069M hardware to the computer, and select **Run Simulation**. Refer to the same tutorial above for more details.

Simulation results from this example are shown below. The top trace shows the motor speed with the reference set to 500 rpm. The middle traces show the motor currents, and the bottom trace shows the motor torque.



4. PMSM Sensorless Drive with Auto Code Generation

To design a sensorless PMSM drive with the same control structure as in TI InstaSPIN Lab 11 but with SimCoder blocks for auto hardware code generation, in PSIM, select **Design Suites >> Motor Control Design Suite >> PMSM Sensorless Drive (InstaSPIN Simcoder)**. After files are unpacked, the following schematic will appear.



On the left of the schematic is a list of parameters. These are the input parameters that users need to specify as inputs. Once all parameters are entered, click on **Update Parameter File** to obtain the new design parameters in the “parameters-main.txt” file.

The default settings of this template use the DRV8305 EVM hardware and the Anaheim BLDC motor BLY172S-24V-4000. If the hardware or the motor is different, the InstaSPIN parameter file “InstaSPIN_params.txt” needs to be regenerated and the input parameters need to be updated.

In this section, we will use the DRV8305 EVM hardware and Anaheim BLDC motor BLY172S-24V-4000 as an example. By default, the file “InstaSPIN_params.txt” in the schematic folder is for the DRV8305 EVM and the Anaheim motor BLY172S-24V-4000 already, and is ready to use. But if the hardware or the motor is different, this file needs to be re-generated and placed in the schematic folder.

Input parameters for this design template are the same as the design template for **PMSM Sensorless Drive (InstaSPIN)** as described in Section 3, with the following addition:

For Inverter:

| | | |
|------------|----------|---------------------|
| la_offset: | 0.997648 | [current Ia offset] |
| lb_offset: | 1.00098 | [current Ib offset] |
| lc_offset: | 0.998795 | [current Ic offset] |
| Va_offset: | 0.49609 | [voltage Va offset] |

| | | |
|------------|--------|---------------------|
| Vb_Offset: | 0.4954 | [voltage Vb offset] |
| Vc_Offset: | 0.4964 | [voltage Vc offset] |

These are the offsets measured from the hardware circuit.

To perform auto code generation, ADC, PWM, SCI, and SPI blocks, as highlighted in red boxes, are added in the circuit. They simulate the functions of the corresponding F28069 hardware peripheral blocks. SCI blocks are used to display DSP waveforms in real time, and SPI blocks are used to set the configurations in the DRV8305 chip.

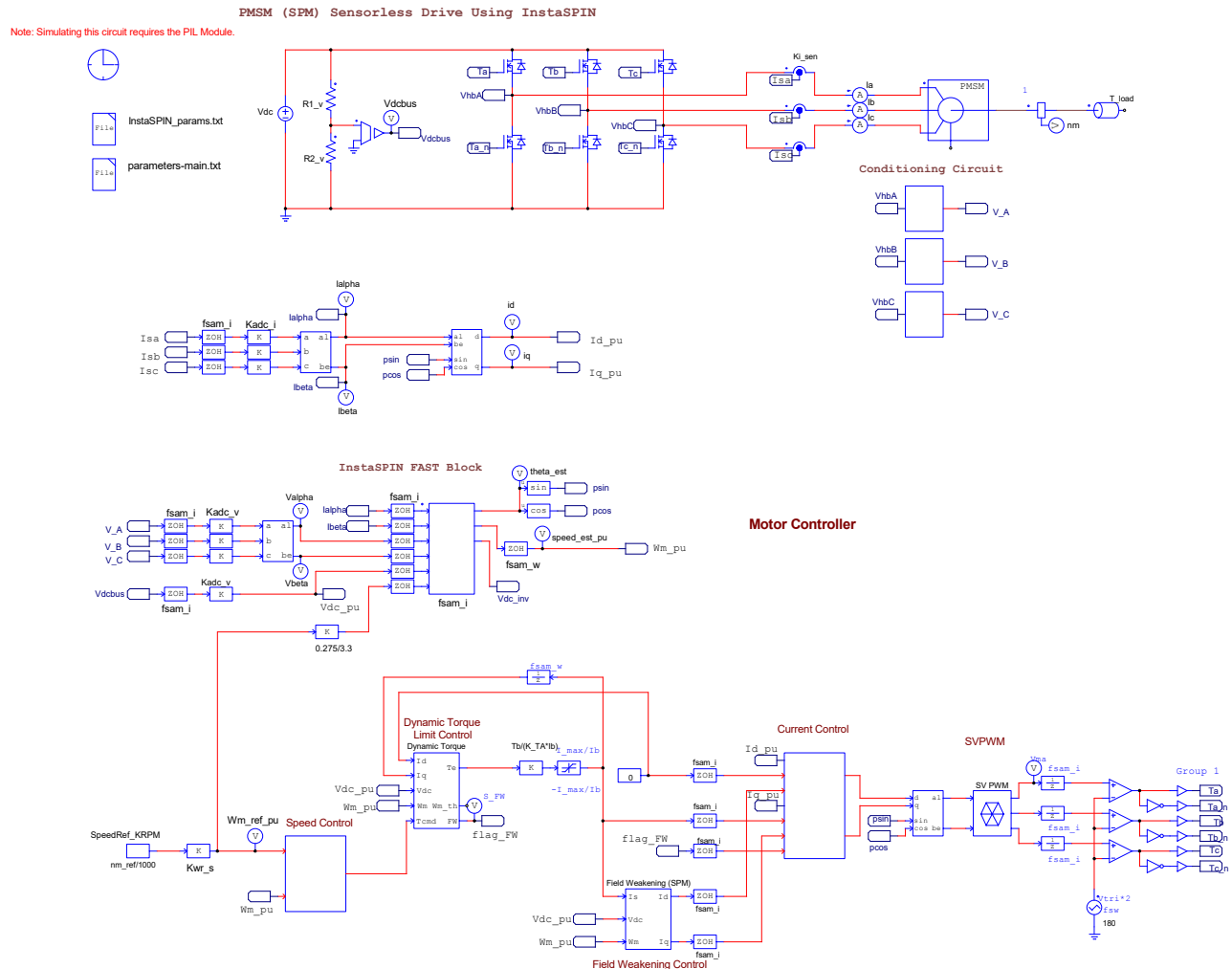
Proper settings of ADC, PWM, SCI and SPI blocks in the circuit are required for the simulation and code generation. For more information on how to generate code and run on F2806x DSP, refer to [“Tutorial – Simulation and code generation of TI InstaSPIN using DRV8305 EVM.pdf”](#) for more details. For more information on how to use SCI for real-time waveform display, refer to [“Tutorial – Using SCI for waveform monitoring.pdf”](#).

With the default parameter settings, the InstaSPIN parameters and the current loop/speed loop PI parameters will be the same as in Section 3. The simulation results are also the same.

5. PMSM (SPM) Sensorless Drive with Field Weakening Control

PSIM offers a generic PMSM (SPM) sensorless drive platform based on the advanced Motor Control Design Suite structure with field weakening control.

To design a sensorless PMSM drive based on the Motor Control Design Suite structure for a SPM motor, in PSIM, select **Design Suites >> Motor Control Design Suite >> PMSM (SPM) Sensorless Drive (InstaSPIN)**. After files are unpacked, the following schematic will appear.



The default settings of this template use the DRV8305 EVM hardware and the Anaheim BLDC motor BLY172S-24V-4000. If the hardware or the motor is different, the InstaSPIN parameter file “InstaSPIN_params.txt” needs to be regenerated and the input parameters need to be updated.

On the left of the schematic is a list of parameters. These are the input parameters that users need to specify as inputs. Once all parameters are entered, click on **Update Parameter File** to obtain the new design parameters in the “parameters-main.txt” file.

The Motor Control Design Suite control structure shown above is different from the one in TI InstaSPIN Lab 11. There are two advanced control blocks added to the circuit: *Dynamic Torque*

Limit Control and *Field Weakening Control*. These blocks provide optimal control performance for most applications. Refer to “[Tutorial – Motor Control Design Suite.pdf](#)” for more details.

Generic current and voltage sensor interface circuits are used. One needs to match them with the corresponding hardware.

In this section, we will use the DRV8305 EVM hardware and Anaheim BLDC motor BLY172S-24V-4000 as an example. By default, the file “InstaSPIN_params.txt” in the schematic folder is for the DRV8305 EVM and the Anaheim motor BLY172S-24V-4000 already, and is ready to use. But if the hardware or the motor is different, this file needs to be re-generated and placed in the schematic folder.

For the Design Suite template, enter the following parameters:

For *DC Bus*:

Operating DC Bus Voltage (Vdc): 24

For *Inverter*:

Current Sensor Gain (Ki_sen): 70m [current sensor gain]
 Resistance R1 (R1_v): 62k [voltage divider resistance]
 Resistance R2 (R2_v): 4.99k [voltage divider resistance]

For *Motor*:

Moment of Inertia (J_motor) 4.8u
 Shaft Time Constant (T_shaft) 0.05
 Maximum Power (P_max) 55 [maximum motor power]
 Maximum Speed (nm_max) 7000 [maximum motor speed]

For *Load*:

Load Torque (T_load): 0
 Load Moment of Inertia (J_load): 4u

For *Motor Controller*:

Current Loop Sampling Freq. (fsam_i): 15k
 Speed Loop Sampling Freq. (fsam_w): 1k
 Current Loop Crossover Freq. (fcr_i): 1k [Used in current loop design]
 Speed Loop Crossover Freq. (fcr_w): 25 [Used in speed loop design]
 Motor Speed Reference (nm_ref): 5000

The current sensor gain Ki_sen comes from the current shunt resistance and the current conditioning circuit. It is equal to the shunt resistance multiplied by the op. amp. circuit gain, i.e. $7m \times 10 = 70m$.

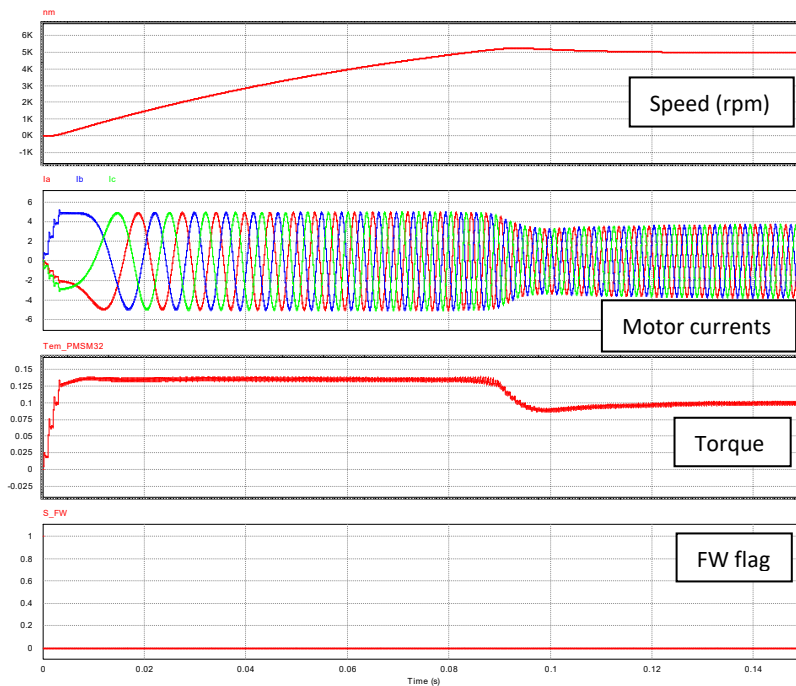
With the InstaSPIN parameter file ready, after all input parameters are entered in the parameter panel, click on **Update Parameter File**, and current loop PI controller parameters Kpi_d, Tpi_d, Kpi_q, Tpi_q and the speed loop PI controller parameters Kpi_w and Tpi_w will be designed automatically. In this case, the designed parameters are:

Kpi_d = 4.02
 Tpi_d = 0.0016
 Kpi_q = 4.02

$T_{pi_q} = 0.0016$
 $K_{pi_w} = 11.49$
 $T_{pi_w} = 0.0175$

To run the simulation, connect a F28069M hardware to the computer, and select **Run Simulation**.

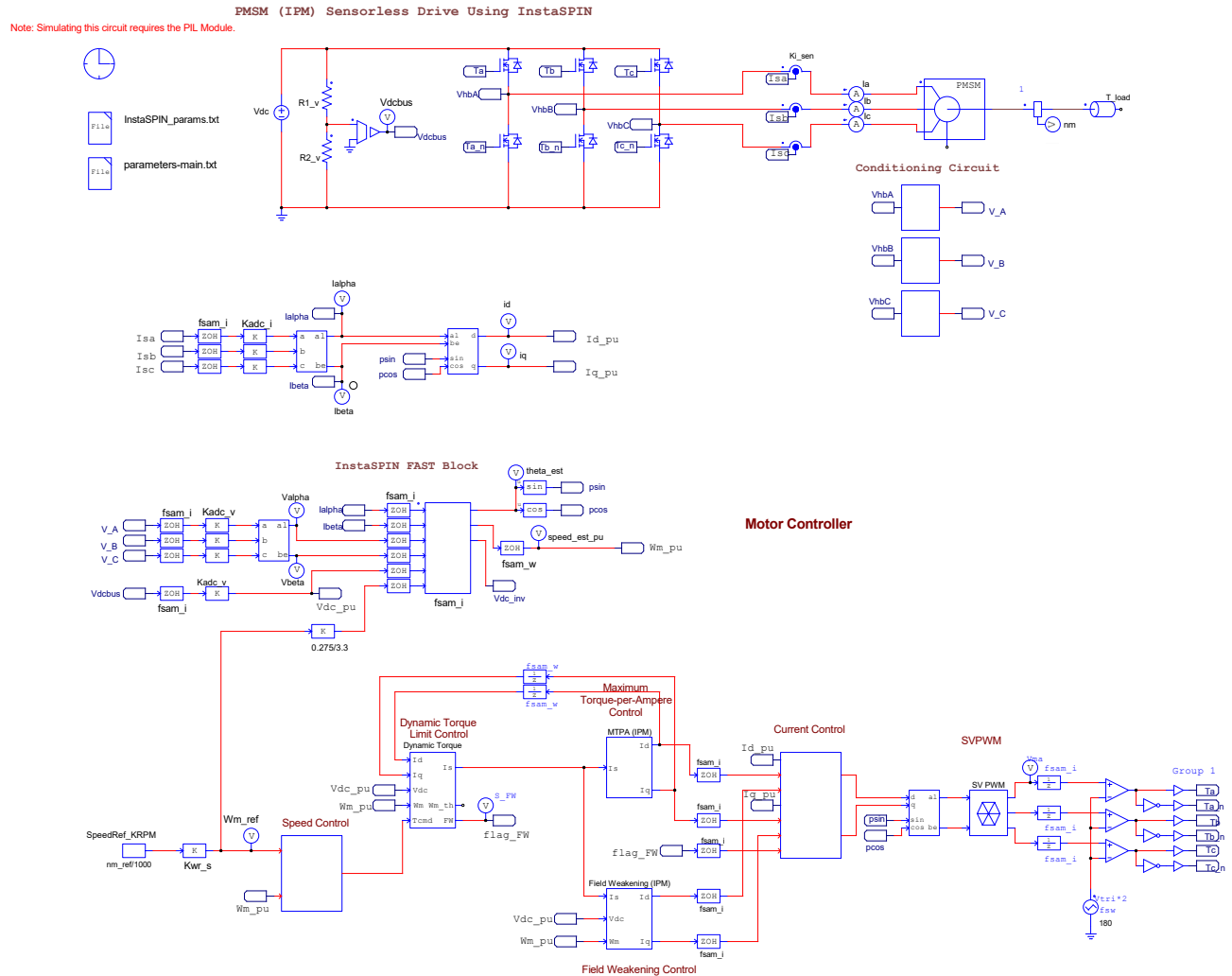
The simulation results are shown below. The first trace from the top is the motor speed, with the reference set to 5000 rpm. In the initial speed ramp up period, the control operates in the maximum torque mode, with the motor currents (the 2nd traces from the top) limited by the maximum motor current of 5A. As the speed reaches the reference, the torque is reduced and is settled to the steady state after a short transient. In the whole duration, the control does not enter into the field weakening control mode, as indicated by the field weakening flag (the bottom trace).



6. PMSM (IPM) Sensorless Drive with MTPA and Field Weakening Control

PSIM offers a generic PMSM (IPM) sensorless drive platform based on the advanced Motor Control Design Suite structure with Maximum Torque-Per-Ampere (MTPA) control and field weakening control.

To design a sensorless PMSM drive based on the Motor Control Design Suite structure with MTPA and field weakening control for a IPM motor, in PSIM, select **Design Suites >> Motor Control Design Suite >> PMSM (IPM) Sensorless Drive (InstaSPIN)**. After files are unpacked, the following schematic will appear.



The default settings of this template use the following sample inverter and motor:

- Inverter: 650 Vdc, 15 kHz
- Motor: 380 V, 150 A, 137 kW ($R_s = 0.02035$ Ohm, $L_d = 1.5$ mH, $L_q = 5$ mH)

If the hardware or the motor is different from the default above, the InstaSPIN parameter file "InstaSPIN_params.txt" needs to be regenerated and the input parameters need to be updated.

On the left of the schematic is a list of parameters. These are the input parameters that users need to specify as inputs. Once all parameters are entered, click on **Update Parameter File** to obtain the new design parameters in “parameters-main.txt” file.

The Motor Control Design Suite control structure shown above is different from the one in TI InstaSPIN Lab 11. There are three advanced control blocks added to the circuit: *Dynamic Torque Limit Control*, *Maximum-Torque-per-Ampere Control*, and *Field Weakening Control*. These blocks provide optimal control performance in most applications. Please refer to “[Tutorial – Motor Control Design Suite.pdf](#)” for more details.

Generic current and voltage sensor interface circuits are provided. One needs to match them with the corresponding hardware.

In this example, we will use the default inverter and motor. By default, the file “InstaSPIN_params.txt” in the schematic folder is for the default hardware and motor already, and is ready to use. But if the hardware or the motor is different, this file needs to be re-generated and placed in the schematic folder.

For the Design Suite template, enter the following parameters:

For *DC Bus*:

Operating DC Bus Voltage (Vdc): 650

For *Inverter*:

| | | |
|-------------------------------|-------|------------------------------|
| Current Sensor Gain (Ki_sen): | 8.25m | [current sensor gain] |
| Resistance R1 (R1_v): | 500k | [voltage divider resistance] |
| Resistance R2 (R2_v): | 2.55k | [voltage divider resistance] |

For *Motor*:

| | |
|-------------------------------|-------|
| Moment of Inertia (J_motor) | 0.206 |
| Shaft Time Constant (T_shaft) | 100 |
| Maximum Power (P_max) | 137k |
| Maximum Speed (nm_max) | 5000 |

For *Load*:

| | |
|----------------------------------|------|
| Load Torque (T_load): | 50 |
| Load Moment of Inertia (J_load): | 0.01 |

For *Motor Controller*:

| | | |
|---------------------------------------|------|-------------------------------|
| Current Loop Sampling Freq. (fsam_i): | 15k | |
| Speed Loop Sampling Freq. (fsam_w): | 1k | |
| Current Loop Crossover Freq. (fcr_i): | 1k | [Used in current loop design] |
| Speed Loop Crossover Freq. (fcr_w): | 10 | [Used in speed loop design] |
| Motor Speed Reference (nm_ref): | 3000 | |

Parameters R1_v and R2_v come from the voltage divider in the hardware circuit.

One should follow the same design guideline as described in Section 3 when selecting the current and speed loop crossover frequencies and other parameters.

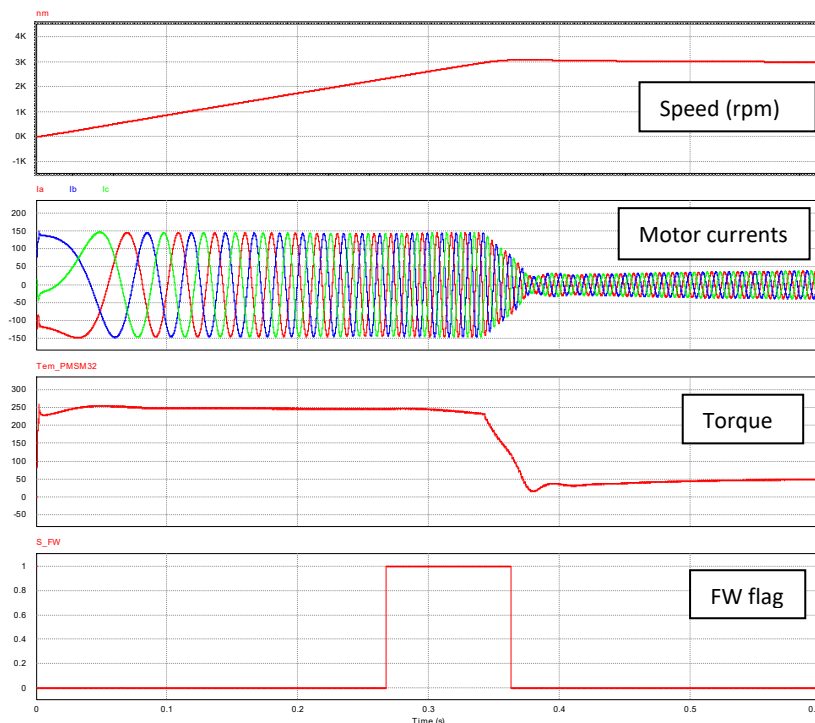
With the InstaSPIN parameter file ready, after all input parameters are entered in the parameter panel, click on **Update Parameter File**, and current loop PI controller parameters K_{pi_d} , T_{pi_d} , K_{pi_q} , T_{pi_q} and the speed loop PI controller parameters K_{pi_w} and T_{pi_w} will be designed automatically. In this case, the designed parameters are:

$$\begin{aligned}K_{pi_d} &= 2.9 \\T_{pi_d} &= 0.0737 \\K_{pi_q} &= 9.67 \\T_{pi_q} &= 0.2457 \\K_{pi_w} &= 59.7 \\T_{pi_w} &= 0.09\end{aligned}$$

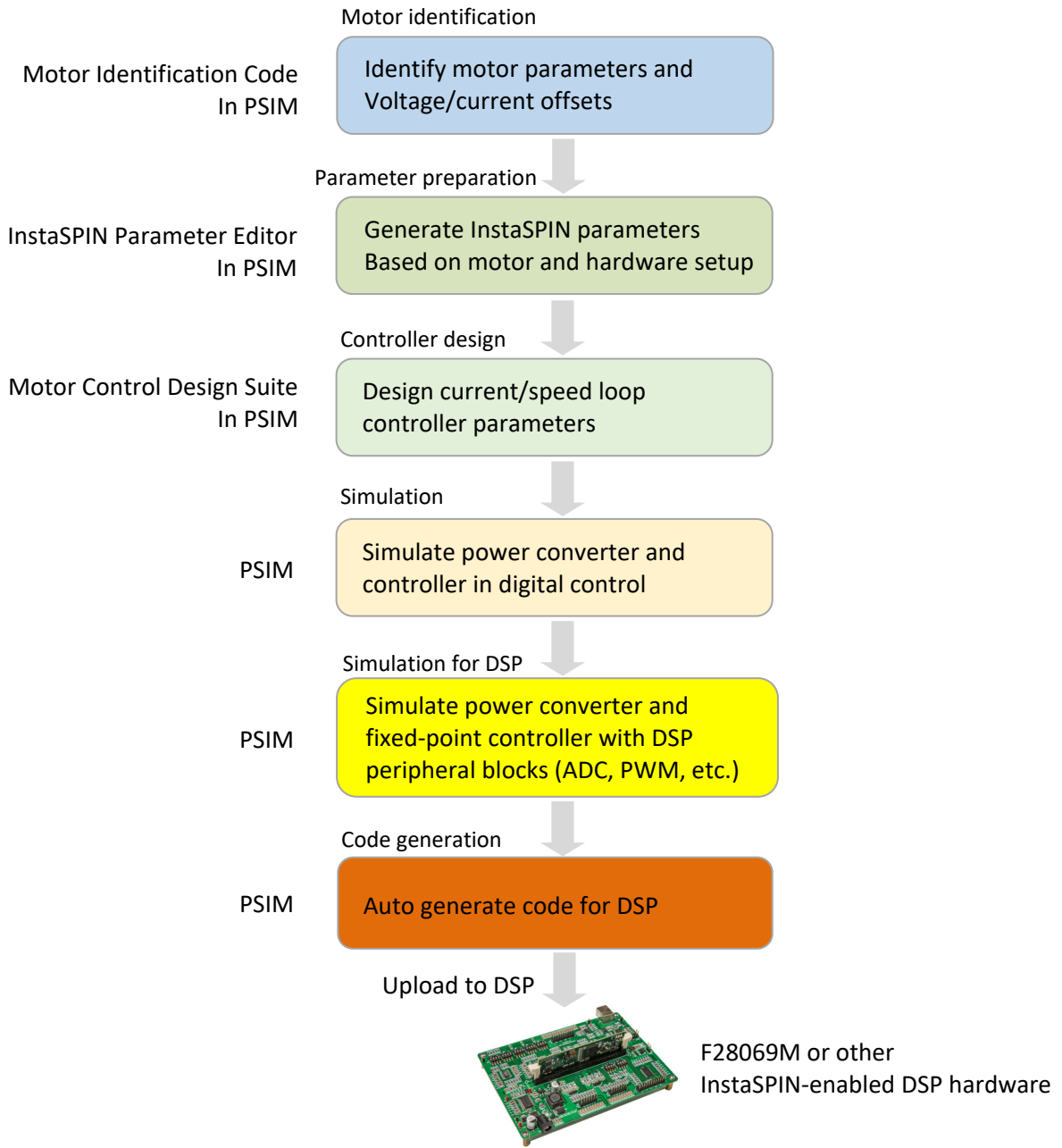
To run simulation, connect a F28069M hardware to the computer, and select **Run Simulation**.

The simulation results are shown below. The first trace from the top is the motor speed, with the reference set to 3000 rpm. In the initial speed ramp up period, the control operates in the MTPA control, with the motor delivers a constant torque of around 250 N*m (the 3rd trace from the top) and the motor currents (the 2nd traces from the top) limited by the maximum motor current of 150A. As the speed reaches around 2300 rpm, the control switches to field weakening control mode, with the field weakening flag (the bottom trace) changing from 0 to 1.

After the speed reaches the reference, the developed torque is reduced, and the control switches from the field weakening control back to the MTPA control.



With PSIM’s motor identification code, InstaSPIN Parameter Editor, Motor Control Design Suite, and automatic code generation capability, one can start from identifying motor parameters, to preparing the InstaSPIN parameter file, designing controller parameters, validating the whole sensorless motor drive system in simulation, and eventually generating code automatically for DSP hardware, all in one seamless workflow as shown below:



The integrated environment greatly speeds up the development process and helps to reduce development time and cost.